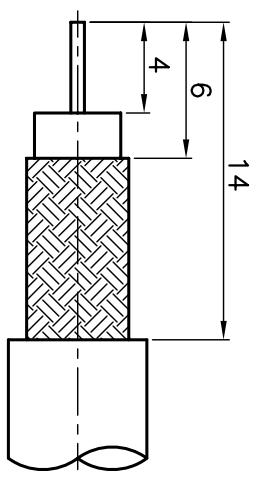
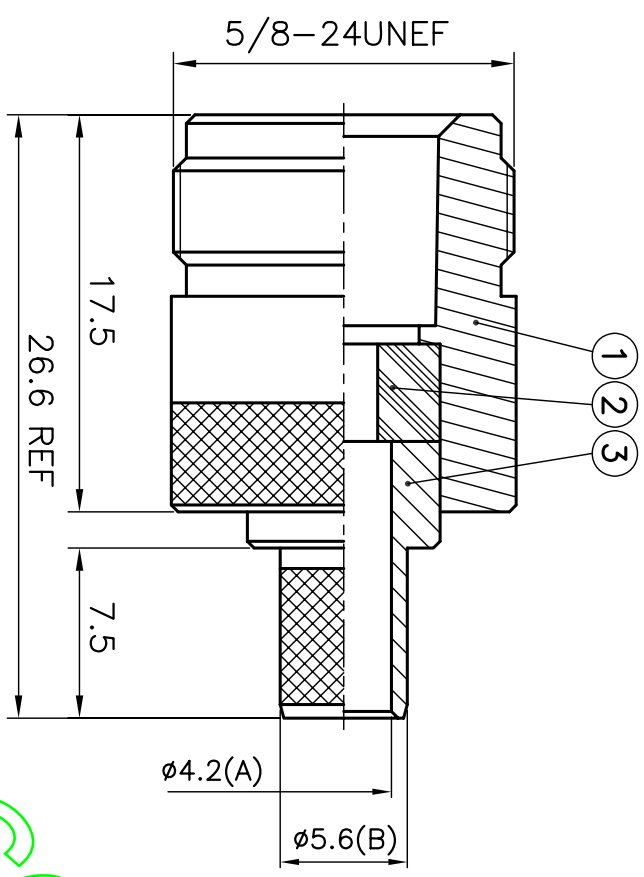
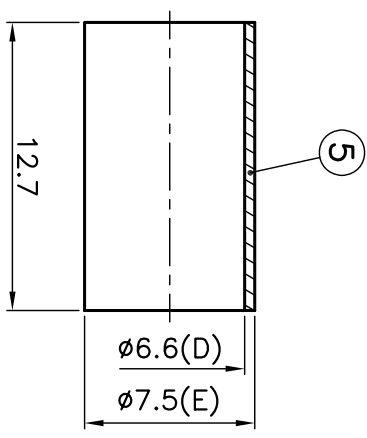
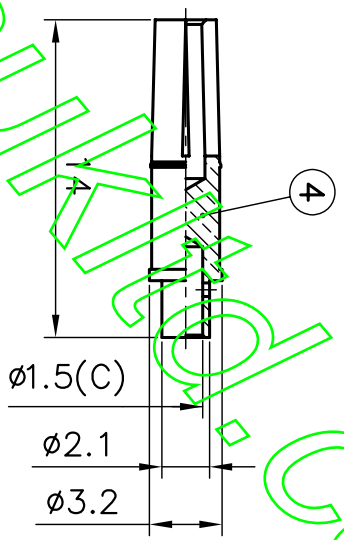


ISS	REVISIONS	DESCRIPTION \ DATE

RoHS COMPLIANT



RECOMMENDED  
CABLE STRIPPING DIM'S



1. CRIMPED FERRULE  
HEX CRIMP SIZE .256"
2. CRIMPED CONTACT PIN  
HEX CRIMP SIZE .068"

**CONNECTORS CABLES**  
**CRCS**  
SPECIALISTS LTD

TITLE: N FEMALE CRIMP  
PART NO: NJCR240  
DR. NO:

APRD:	UNLESS OTHERWISE SPECIFIED TOLERANCES
CHKD:	0.5-6 = ±0.2
DR:	>6-30 = ±0.4
DATE: 05/17/10"	>30-120 = ±0.6
SHEET: .	>120-315 = ±1
	>315-1000 = ±1.6
	ANGLES = ±5°

NO.	DESCRIPTION	MATERIAL	FINISH
1	BODY	BRASS	NICKEL
2	INSULATOR	TEFLON	WHITE
3	BODY	BRASS	NICKEL
4	CONTACT PIN	BRASS	GOLD
5	FERRULE	BRASS	NICKEL